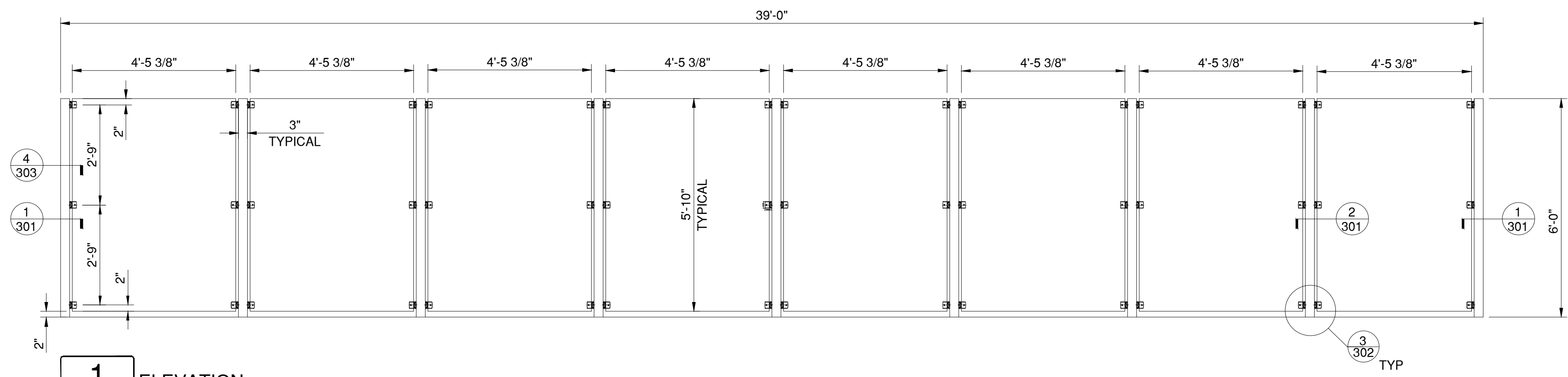


BUILDING 2 LEVEL 6

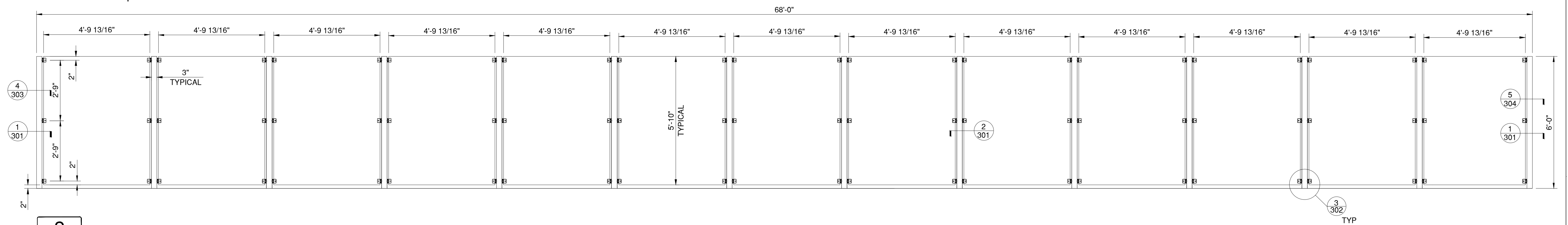
SCALE: NTS

FIELD VERIFY ALL DIMENSIONS



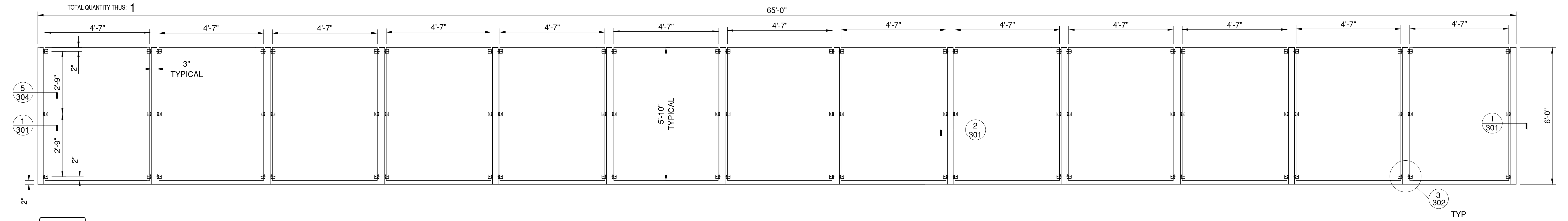
1 ELEVATION
 REF NO: 2 NTS
 REF SHT: A302-2.3
 CRL WIND SCREEN RAILINGS

TOTAL QUANTITY THUS: 1



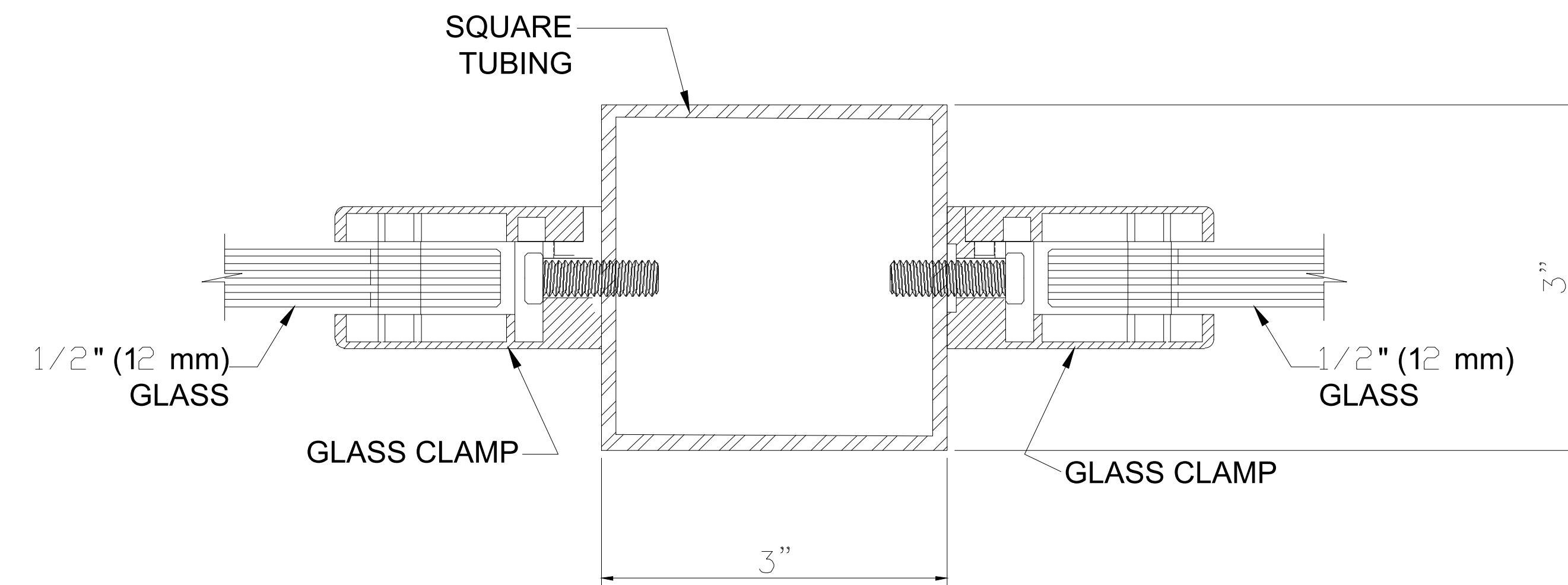
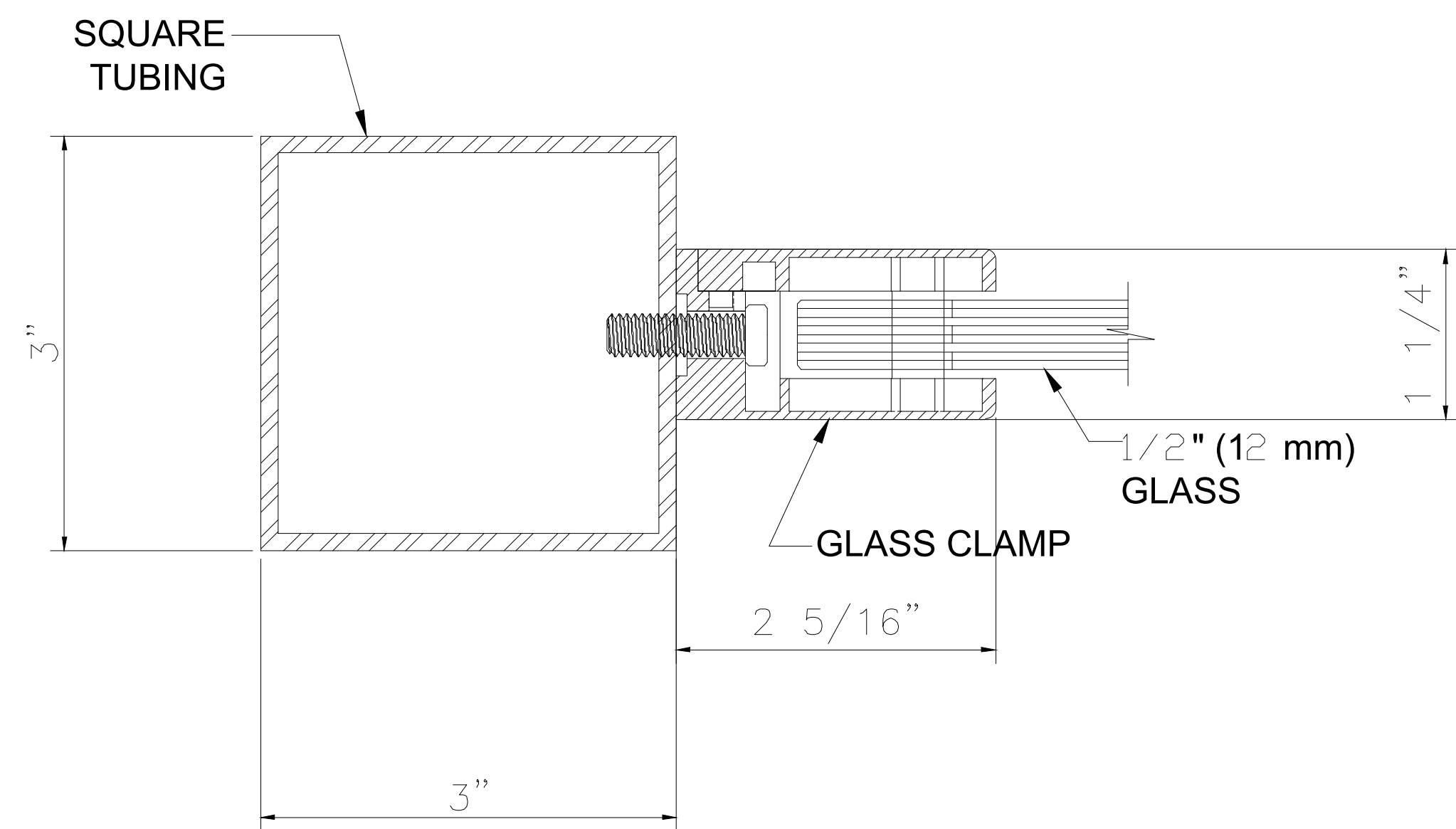
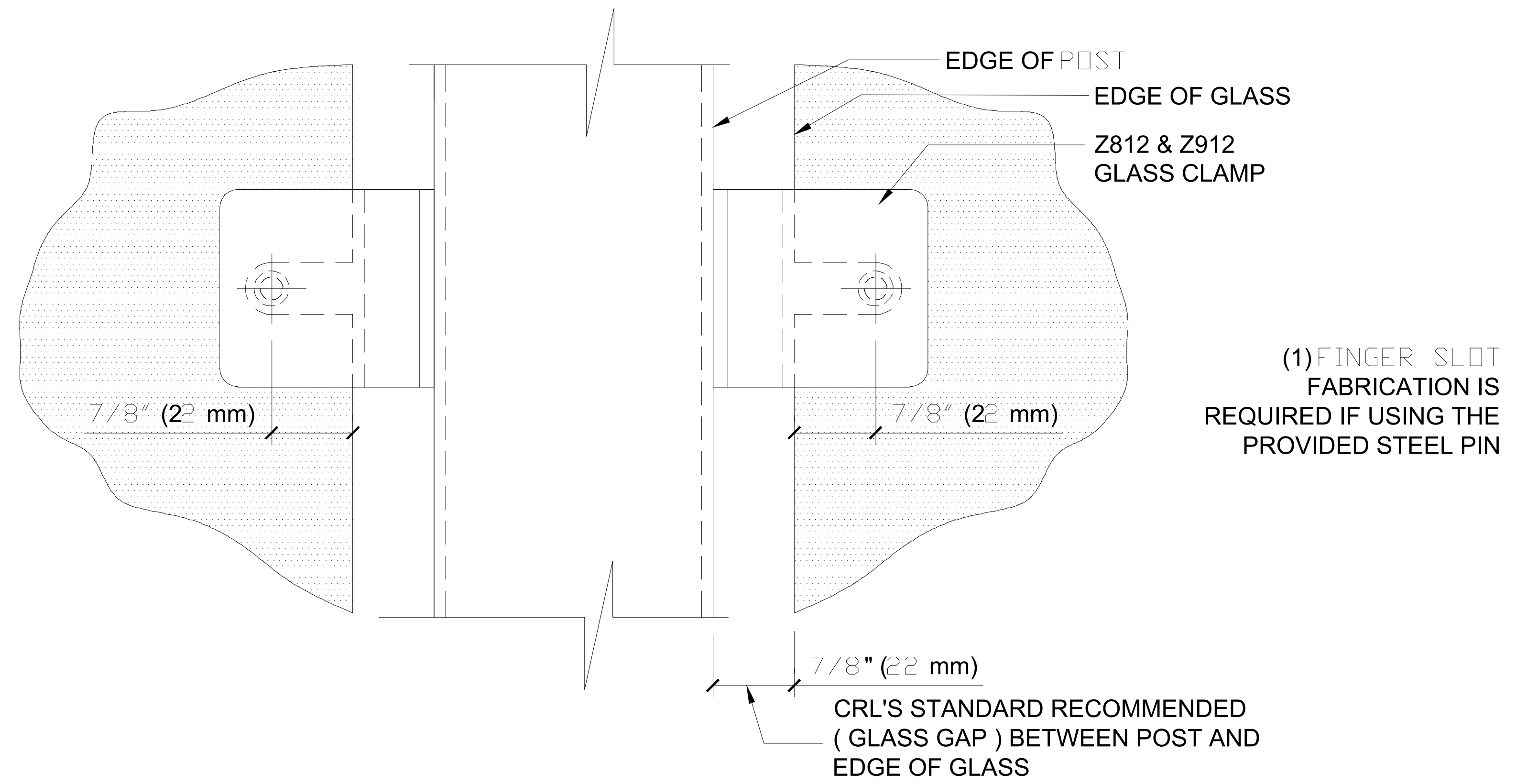
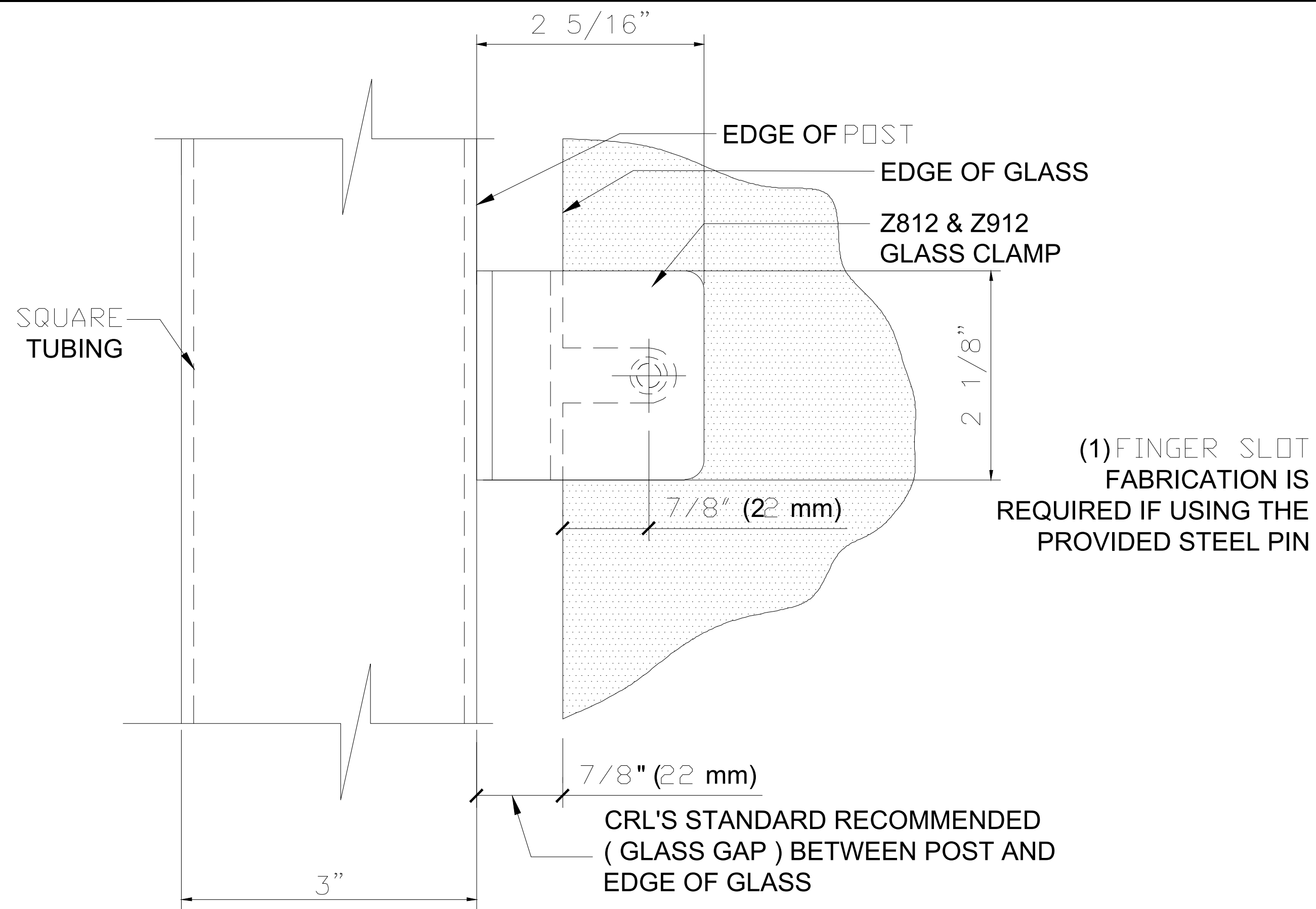
2 ELEVATION
 REF NO: 2 NTS
 REF SHT: A302-2.3
 CRL WIND SCREEN RAILINGS

TOTAL QUANTITY THUS: 1



3 ELEVATION
 REF NO: 2 NTS
 REF SHT: A302-2.3
 CRL WIND SCREEN RAILINGS

TOTAL QUANTITY THUS: 1

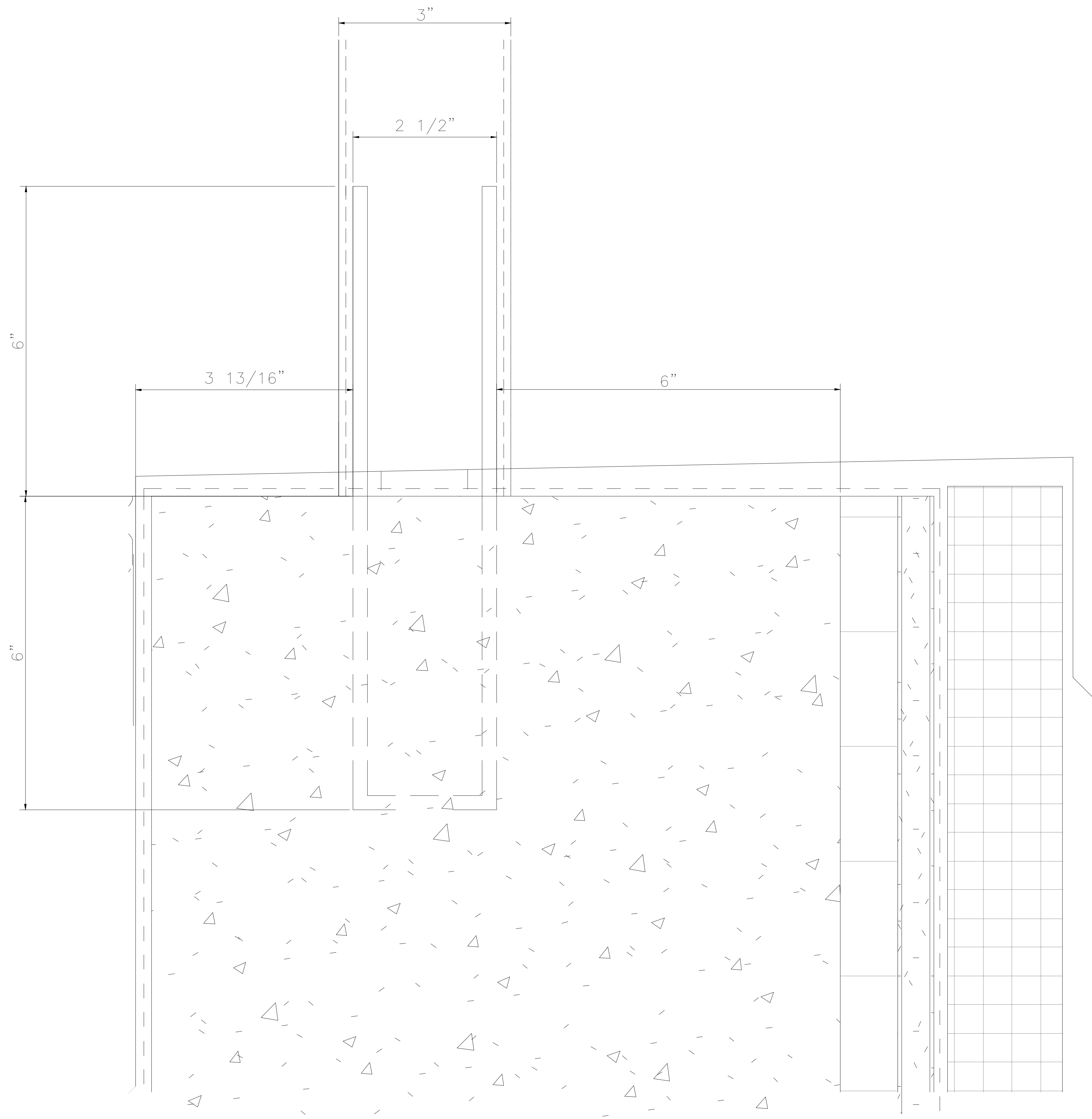


1 CR LAURENCE RAILINGS
TYPICAL CLAMP DETAIL SINGLE

REF NO: FULL
REF SH: FULL

2 CR LAURENCE RAILINGS
TYPICAL CLAMP DETAIL DUAL

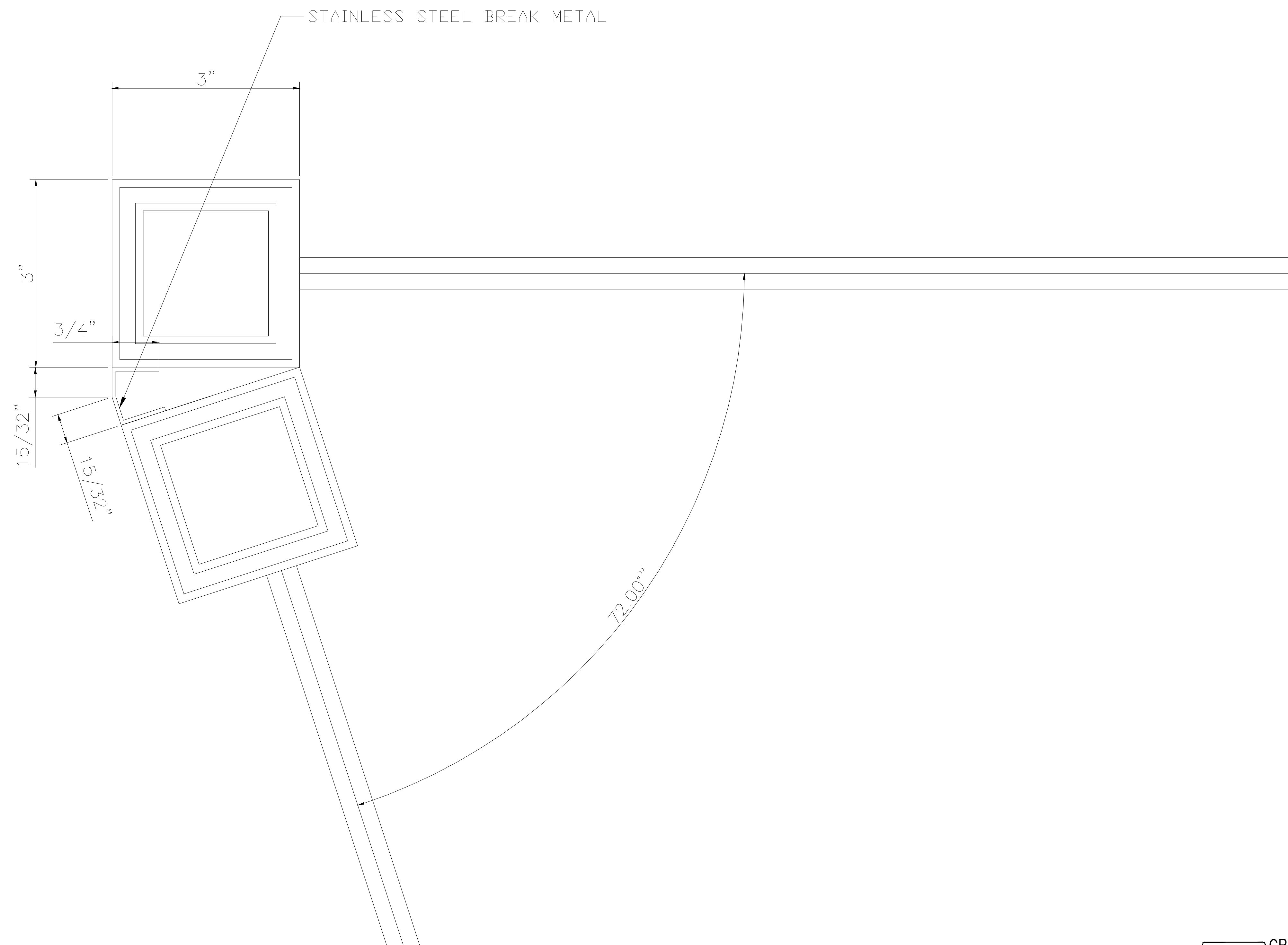
REF NO: FULL
REF SH: FULL



3 CR LAURENCE RAILINGS
 TYPICAL EMBED SLEEVE DETAIL

REF NO: 11
 REF SHT: A824

FULL



4	CR LAURENCE RAILINGS ANGLE DETAIL @ ELV 1 & 2
REF NO:	FULL
REF SHT:	

5 CR LAURENCE RAILINGS
ANGLE DETAIL @ ELV 2 & 3
REF NO: FULL
REF SHT:

